

## DFE 135/190 FIXED TEMPERATURE HEAT DETECTOR



### STANDARD FEATURES

- Choice of fixed temperature - 135°F or 190°F
- UL Listed ceiling spacing of 50' by 50' (2,500 square feet)
- Self-Restoring
- Heat element protected by a built-in guard
- Contact Rating of 100 mA
- Highly Dependable
- Latching LED base available

### SPECIFICATIONS

Response	Temperature	135° ± 7.5°F
	Temperature	190° ± 7.5°F
Contact Rating	N/O Contacts 100mA @ 60 V	
Color & Case Material	Ivory ACS	
Mounting	Refer to back of this sheet	

### PRODUCT LISTINGS

Underwriters Laboratories: S2966  
 CSFM #: 7254-0410:119  
 MEA Report #: 284-91-E Vol. II

Specifications subject to change without notice.

### APPLICATION

The DFE 135/190 fixed temperature heat detector is suited for installation where high heat output fires are expected or in areas where ambient conditions would not allow use of other detection methods.

Heat detectors are used for property protection. **Do not rely on heat detectors for life safety protection.** Where life safety is involved, smoke detectors must also be used.

Heat detectors should be electronically supervised from a UL listed alarm panel.

### OPERATION

The DFE 135/190 fixed temperature heat detector is suited to alarm in the presence of slowly rising temperatures. The construction of this model incorporates an oversized heat collector protected from damage by the built-in, durable plastic guard. The DFE 135/190 fixed temperature heat detector used the proven snap-disc principle of operation. This bi-metal disc deflects when temperature reaches a predetermined value. The disc deflection then causes a push-rod to close the internal contact resulting in an alarm condition. The bi-metal disc returns to its normal shape when the heat subsides causing internal contacts to return to their normally open position. A standby condition is restored.

### ENGINEERING SPECIFICATIONS

Automatic heat detectors shall be fixed temperature rated at 135°F for areas where ambient temperatures do not exceed 120°F and 190°F where ambient temperatures exceed 120°F but not 160°F. The fixed temperature element shall consist of a bi-metallic disc and actuator shaft. Electrical contacts shall be normally open, rated at 100mA @ 60VDC.

Heat detectors shall be installed in accordance with National Fire Protection Association Standard 72, the spacing assigned by Underwriters Laboratories, and in accordance with the rules and regulations set forth by the local authorities having jurisdiction. Automatic heat detectors shall be Underwriters Laboratories listed.

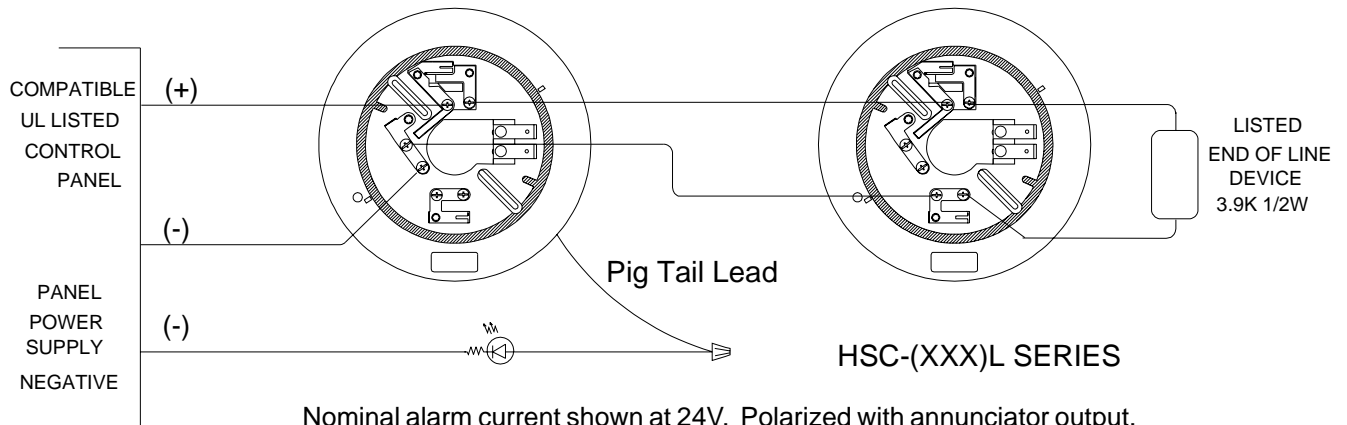
Continued on back.

## COMPATIBLE BASES

### HSC-(XXX)L HEAT DETECTOR BASE



The HSC-xxx L Series is a 6" base featuring a current limiting resistor, latching annunciator output and a latching circuit so the alarm LED will remain lit until the control panel has been reset. Heat detectors are not recognized as proper detection for life safety protection, therefore they should be utilized only for the protection of property.



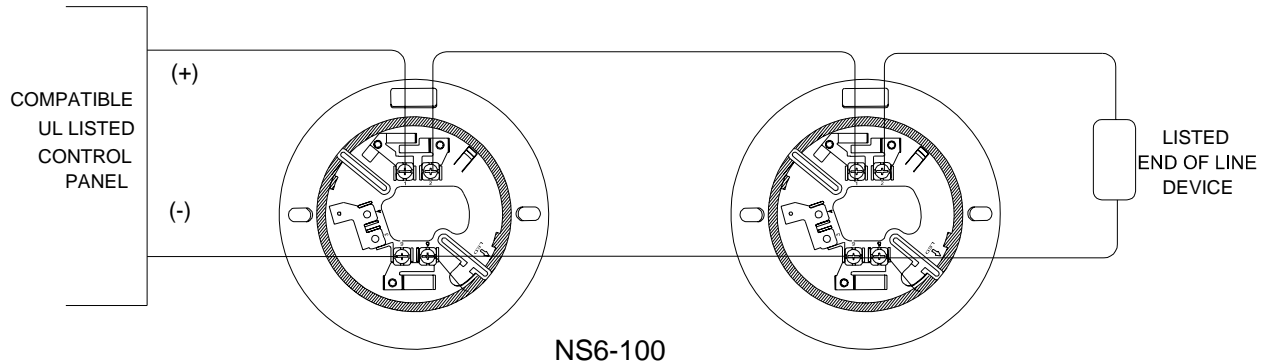
Nominal alarm current shown at 24V. Polarized with annunciator output.

HSC-21L	24mA	HSC-221L	41mA
HSC-224L	38mA	HSC-220L	73mA

### NS6-100 DETECTOR BASE



The NS6-100 is a 6" diameter base that has no current limiting nor annunciator output features. A direct short occurs across the loop when the detector is actuated. Heat detectors are not recognized as proper detection for life safety protection, therefore they should be utilized only for the protection of property.



Non polarized, not current limited. No annunciator output.

*We try to keep our product information up-to-date and accurate. However, we cannot cover all specifications or anticipate all requirements. For additional information contact your local distributor or call or write Hochiki America Corporation.*