



### ■ Description

The Wheelock patented Series RSS Strobe Appliances have lower current draw while maintaining outstanding performance, reliability and cost effectiveness. These versatile appliances will satisfy virtually all requirements for indoor, wall or ceiling mount applications.

Strobe options for wall mount models include the Wheelock Patented MCW multi-candela strobe with field selectable candela settings of 15/30/75/110cd. Ceiling mount models include the patented MCC multi-candela ceiling strobe with field selectable intensities of 15/30/75/95cd.

All models may be synchronized using the Nittan EVCA-AP-SMD10 Sync Modules or the PS-24-8MC Power Supplies with the Wheelock Patented Sync Protocol. Synchronized strobes can eliminate possible restrictions on the number of strobes in the field of view. Wheelock's synchronized strobes offer an easy way to comply with ADA recommendations concerning photosensitive epilepsy as well as meeting the requirements of NFPA 72.

The Wheelock Series RSS Strobes employ a Patented Integral Strobe Mounting Plate that can be mounted to a single gang, double gang, 4" square, 100mm European backboxes or the SHBB surface backbox. If the flush backbox has side or top space between it and the finished wall, the NATP (Notification Appliance Trimplate) may be used. It provides an additional .65" of trim for the Appliance. An attractive cover plate is provided for a clean, finished appearance on all models.

### ■ Features

- Approvals include: UL Standard 1971, New York City (MEA), California State Fire Marshal (CSFM), Factory Mutual (FM), and Chicago (BFP) See approvals by model in Specifications and Ordering Information
- ADA/NFPA/UFC/ANSI compliant. Meets OSHA 29 Part 1910.165
- Wall mount Multi-Candela models are available with Field Selectable Candela Settings of 15/30/75/110cd
- Ceiling mount Multi-Candela models are available with field selectable candela settings of 15/30/75/95cd
- Strobes produce 1 flash per second over the regulated voltage range
- 24 VDC models with wide UL "Regulated Voltage" using filtered (DC) or unfiltered VRMS input voltage
- Synchronize using the Wheelock sync modules or power supplies with built-in sync protocol
- Fast installation with IN/OUT screw terminals using #12 to #18 AWG wire



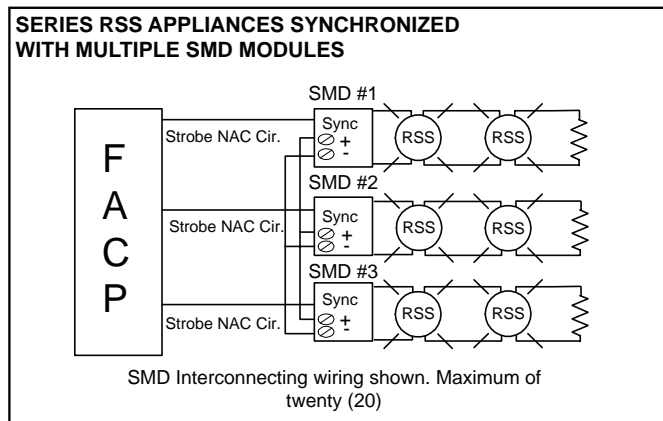
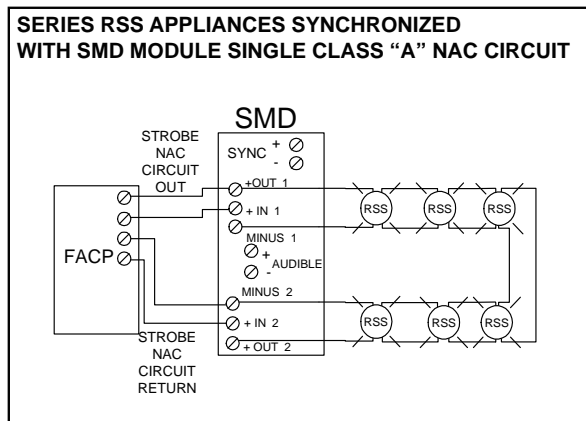
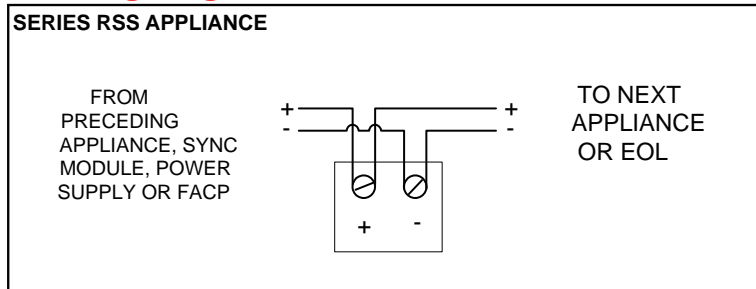
## Specifications

Average RMS Current*								
RSS 24VDC Models	Wall Mount				Ceiling Mount			
	24MCW				24MCC			
	15cd	30cd	75cd	110cd	15cd	30cd	75cd	95cd
24 vdc	0.041	0.063	0.109	0.140	0.045	0.070	0.119	0.159
UL max*	0.060	0.092	0.165	0.220	0.065	0.105	0.189	0.249

\* RMS current ratings are per UL average RMS method. UL max current rating is the maximum RMS current within the listed voltage range (16-33v for 24v units). For strobes the UL max current is usually at the minimum listed voltage (16v for 24v units). For audibles the max current is usually at the maximum listed voltage (33v for 24v units). For unfiltered FWR ratings, see installation instructions.

Specifications and Ordering Information								
Model	Wall Mount	Ceiling Mount	Non-Sync	Strobe Candela	24 VDC	Color RED	Color WHITE	Shape
RSS-24MCW-FR	X	-	X	15/30/75/110	X	X	-	Square
RSS-24MCW-FW	X	-	X	15/30/75/110	X	-	X	Square
RSS-24MCC-FW	-	X	X	15/30/75/95	X	-	X	Square
RSS-24MCC-FR	-	X	X	15/30/75/95	X	X	-	Square

## Wiring Diagrams



All specifications are subject to change without any notice.  
For more information, contact with NITTAN.

**NITTAN**

54-5, 1-chome, Sasazuka,  
Shibuya-ku, Tokyo151-8535, Japan  
TEL:81-3-5333-7021 FAX:81-3-5333-8615

Distributed By